



**FR0.75LT**  
**Bucket technical characteristics**

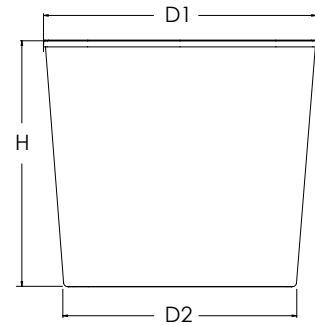
**Dimensions**

D1: 102 mm

D2: 97.4 mm

H: 125 mm *without the lid*

*Deviation ±1mm*



**Other elements**

Capacity (LT)

Volume to rim  
0.730 LT

Brim full volume  
0.820 LT

Net weight / Deviation (±2.5%)

54 gr

Buckets packaging

Pallet 1.200 pcs

Carton 144 pcs

Decoration

IML Label  
314,7X124,4 mm

Packaging

5 Vertically



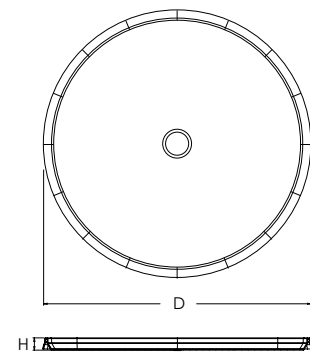
**Lid technical characteristics**  
**FR0.75LT**

**Dimensions**

D: 93 mm

H: 12 mm

*Deviation ±1mm*



**Other elements**

Lid weight (gr)  
Deviation (±2.5%)

12 gr

Lid packaging

Carton 1.225 pcs

**USEFUL STORAGE INFORMATION:** To preserve the quality of this product, it is recommended that it be stored in its original packaging, away from any source of local heat and moisture, away from direct sunlight (below 30°C) and dry conditions. It is recommended that the product be allowed to reach operating temperature 24 hours before use.

RAW MATERIAL: Polypropylene (PP)



ISO 22000/ISO 9001/FSSC 22000

